
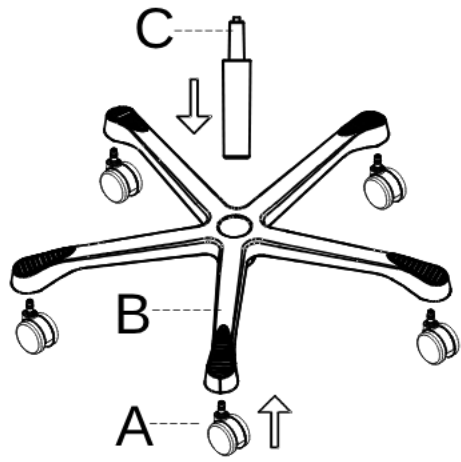
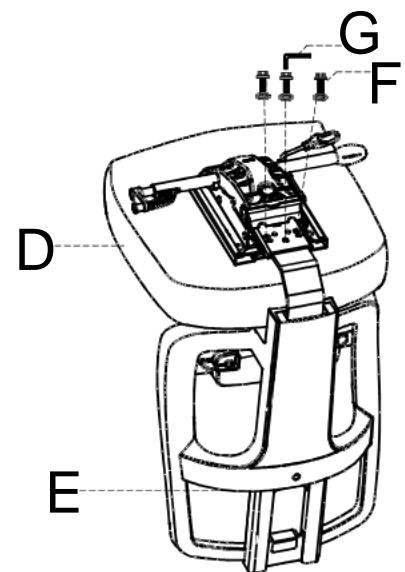
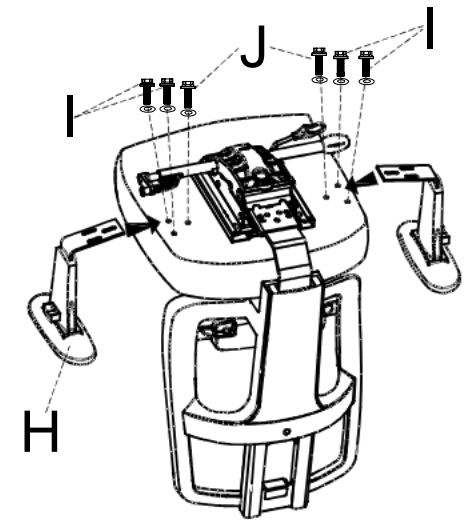
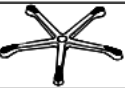
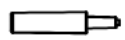



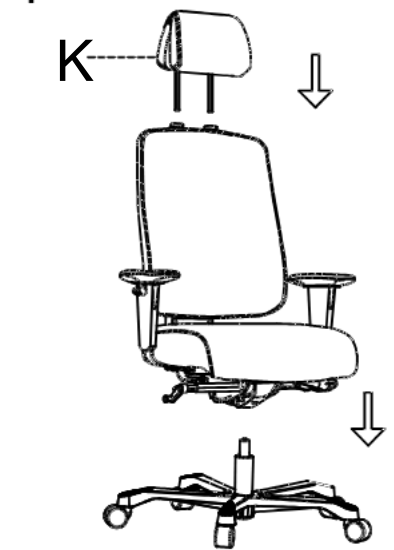








Part	Picture	Qty.	12		3
A		5			
B		1			
C		1			
D		1			
E		1			
F	 M8x20	3			
G		1			
H		2			
I	 M8x35	4			
J	 M8x45	2			
K		1			

Headrest adjustment ():

To rise: Hold the headrest with both hands and lift it up to a suitable height.

To lower: Press the button beside the left headrest bar holder to unlock, hold and pull it down to a suitable height.

To adjust the headrest angle: Hold and turn the headrest directly to proper angle.

Back height adjustment ()

To rise: Hold and lift up the back by putting your force at the bottom of the back, then adjust the back height step by step.

To lower: Only the back reaches the highest position, then can pull down the back to the first position (lowest position).

Lumbar support adjustment:

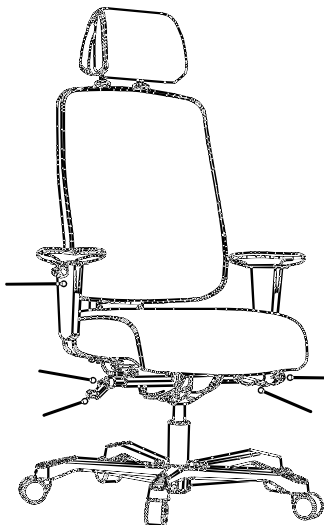
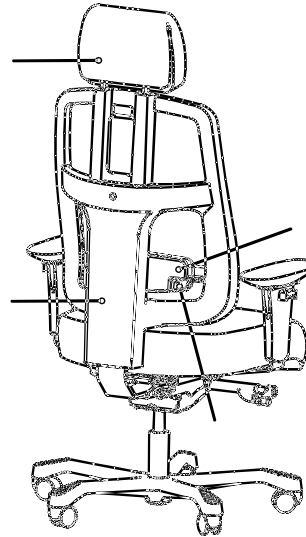
To adjust the lumbar supporter height, hold the lumbar supporter () by two hands and move up or down to proper position.

To enlarge the lumbar support (air bag) depth, hold and press the button () on the lumbar supporter until it inflates to proper position.

To reduce the depth, sit against the backrest and press the button (), to give some pressure to the lumbar supporter until it releases air to proper position, then release the button.

Armrest adjustment ():

Armrest height: Pull up the button while holding the armrest and lift it up or lower it down.



Seat height adjustment:

To raise: Lift up the lever when leaving or half up, release the lever when reaching a desired height. release the lever when reaching a desired height.

Tilt tension adjustment

To increase: Turn the lever clockwise to stronger.
To reduce: Turn the lever anticlockwise to weaker.

Tilt angle adjustment (Tilt/Swing Lock)

To unlock: Turn clockwise the lever.

To lock: Turn anticlockwise when reaching desired angle.

Attention: Mechanism with safety lock, after unlock operation, the back will not return immediately, need to recline and then can be fully unlock.

Seat depth adjustment:

To increase: While sitting and pull up the handle, at the same time, push your hips forward to slide the seat cushion to a proper position, and then release the handle.

To reduce: When leaving or half up, pull up the handle, and the seat cushion can return to the rear position, or release the handle when it reaches the desired position.